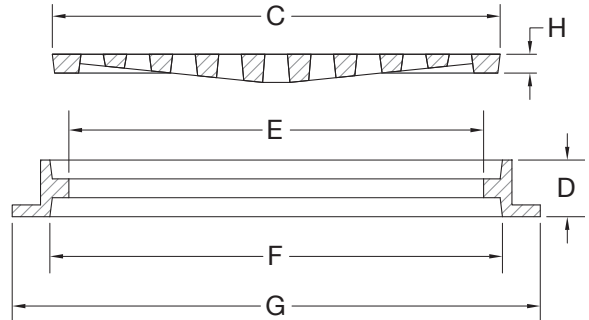


Light Duty, Reversible Type Frame, Slotted Grate



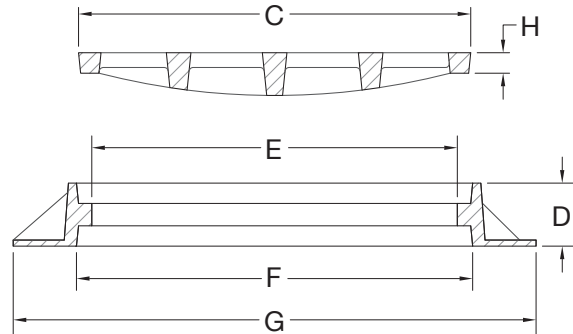
	GRATE DIAMETER	FRAME HEIGHT	CLEAR OPENING	FLANGE ID	FLANGE OD	GRATE THICKNESS
PRODUCT NO.	C	D	E	F	G	H
11238	12	3	10-1/2	12-1/4	16-1/2	1
11838	18	3	16-1/2	18-1/4	22-1/2	1
12038	20	3	18-1/2	20-1/4	24-1/2	1
12438	23-3/4	3	22	24	28	1

**NOTES:**

- Dimensions are approximate & in inches
- Gray Iron, Class 35B
- Conforms to ASTM A48 / A48M-03 specifications



Heavy Duty, Built Up Type Frame, Slotted Grate

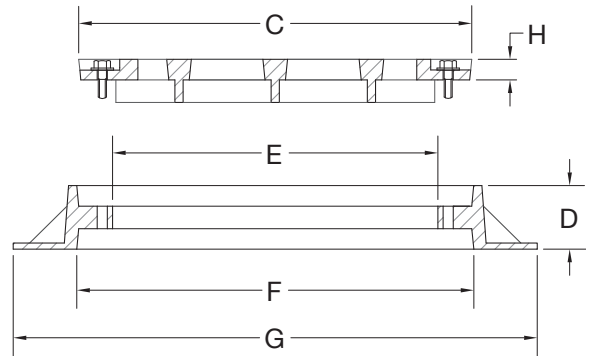


	GRATE DIAMETER	FRAME HEIGHT	CLEAR OPENING	FLANGE ID	FLANGE OD	GRATE THICKNESS
PRODUCT NO.	C	D	E	F	G	H
11862	17-7/8	6	16-1/2	18-1/4	26	1
12442	24	4	22-3/8	24-1/4	32	1-3/8
12462	24	6	22-3/8	24	34	1-3/8
12472	24	7	22-1/2	24-7/16	34	1-3/8
12482	24	8	22-3/8	24-5/8	34	1-3/8
12642	25-3/4	4	24	26-5/8	34	1-3/8
12662	25-3/4	6	24	26-5/8	34	1-3/8
12682	25-3/4	8	24	27	34-1/2	1-3/8
13252	31-5/8	4	30	32-1/2	39	1-3/4
13262	31-5/8	6	30	32-1/2	39	1-3/4
13282	31-5/8	8	30	32-1/2	39	1-3/4
13242	32	4	30-1/4	32-1/4	38	1-1/2
13272	32	6-1/2	30	32	43	1-1/2
13642	37-3/4	4	36	38	48	1-1/2
13662	37-3/4	6	36	38	48	1-1/2
13682	37-3/4	8	36	36	48	1-1/2

NOTES:

- Dimensions are approximate & in inches
- Gray Iron, Class 35B
- Conforms to ASTM A48 / A48M-03 specifications





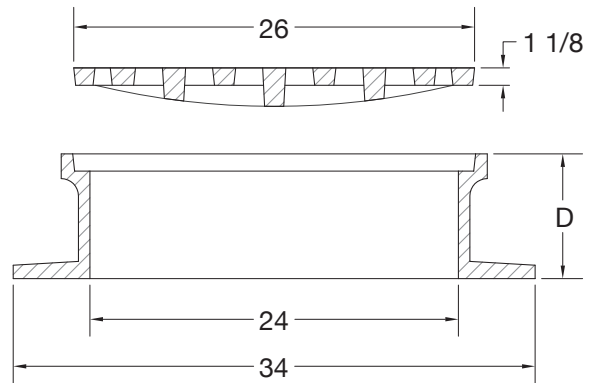
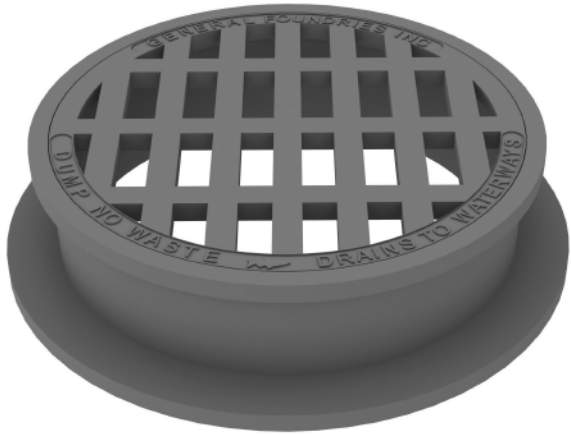
	GRATE DIAMETER	FRAME HEIGHT	CLEAR OPENING	FLANGE ID	FLANGE OD	GRATE THICKNESS
PRODUCT NO.	C	D	E	F	G	H
12447	24	4	22-3/8	24-1/4	32	1-3/8
12467	24	6	22-3/8	24	34	1-3/8
12487	24	8	22-3/8	25-5/8	34	1-3/8

**NOTES:**

- Dimensions are approximate & in inches
- Gray Iron, Class 35B
- Conforms to ASTM A48 / A48M-03 specifications



Heavy Duty, Built Up Type Frame, Slotted Grate



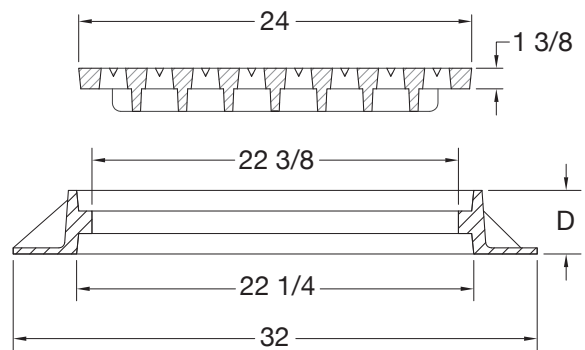
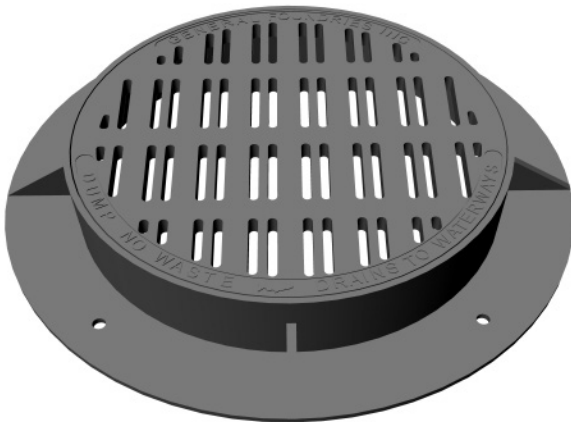
NOTES:

- Dimensions are approximate & in inches
- Gray Iron, Class 35B
- Conforms to ASTM A48 / A48M-03 specifications

FRAME  
HEIGHT

PRODUCT NO.	D
12644	4
12664	6
12684	8-1/8

Heavy Duty, Built Up Type Frame, ADA Compliant Grate



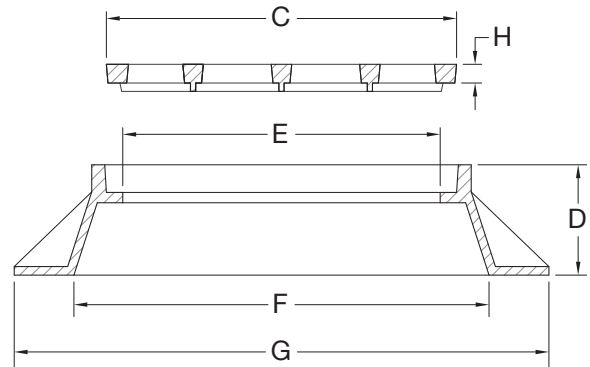
NOTES:

- Dimensions are approximate & in inches
- Gray Iron, Class 35B
- Conforms to ASTM A48 / A48M-03 specifications

FRAME  
HEIGHT

PRODUCT NO.	D
12449	4
12469	6
12489	8

Heavy Duty, Built Up Type Frame, Slotted Grate



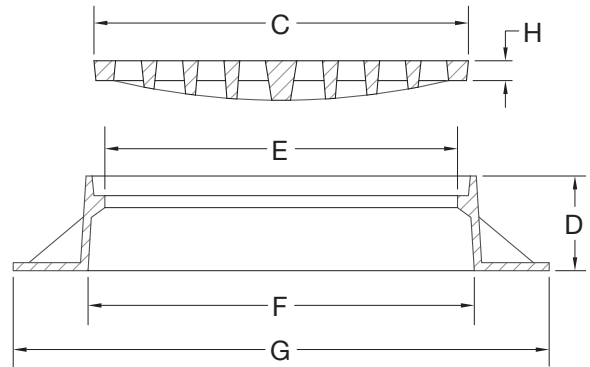
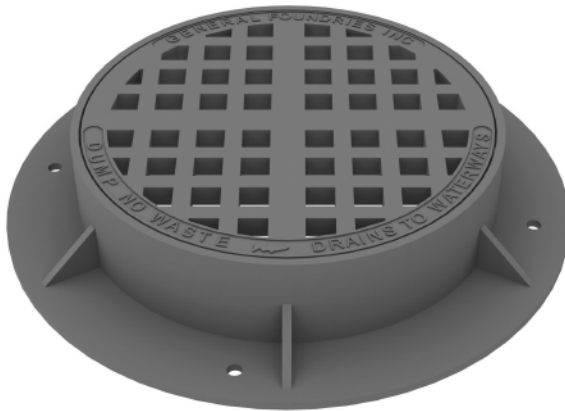
	COVER DIAMETER	FRAME HEIGHT	CLEAR OPENING	FLANGE ID	FLANGE OD	COVER HEIGHT
PRODUCT NO.	C	D	E	F	G	H
12580	25-3/8	8	23	31	39	2
12680	25-3/4	8	24	32	39	1-3/8

**NOTES:**

- Dimensions are approximate & in inches
- Gray Iron, Class 35B
- Conforms to ASTM A48 / A48M-03 specifications



Heavy Duty, Built Up Type Frame, Square Hole Grate



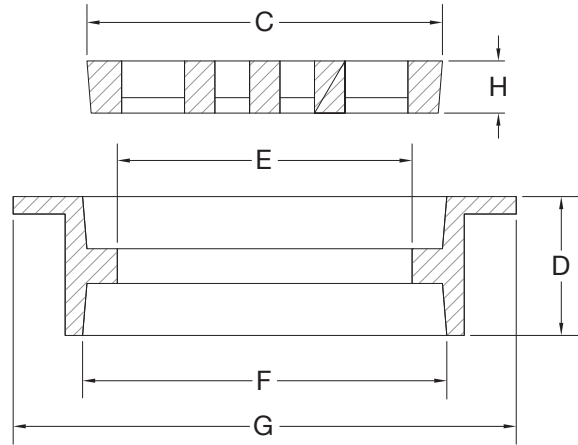
	GRATE DIAMETER	FRAME HEIGHT	CLEAR OPENING	FLANGE ID	FLANGE OD	GRATE THICKNESS
PRODUCT NO.	C	D	E	F	G	H
12444	24	4	22-3/8	24-1/4	32	1-3/8
12464	24	6	22-3/8	24	34	1-3/8
12474	24	7	22-1/2	24-7/16	34	1-3/8
12484	24	8	22-3/8	24-5/8	34	1-3/8

**NOTES:**

- Dimensions are approximate & in inches
- Gray Iron, Class 35B
- Conforms to ASTM A48 / A48M-03 specifications



Heavy Duty, Reversible Type Frame, ADA Compliant Grate



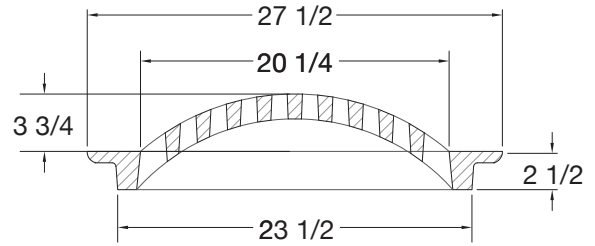
	GRATE DIAMETER	FRAME HEIGHT	CLEAR OPENING	FLANGE ID	FLANGE OD	GRATE THICKNESS	
PRODUCT NO.	C	D	E	F	G	H	PIPE SIZE
11248	10-1/4	4	8-1/2	11-1/2	14-1/2	1-1/2	12
11548	13-1/4	4	11-1/2	14-1/2	17-1/2	1-1/2	15
11848	16-1/4	4	14-1/2	17-1/2	20-1/2	1-1/2	18

NOTES:

- Dimensions are approximate & in inches
- Gray Iron, Class 35B
- Conforms to ASTM A48 / A48M-03 specifications



## Beehive Grate For 24" Corrugated Pipe



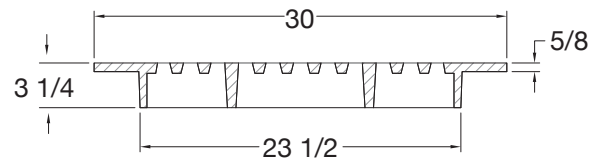
**NOTES:**

- Dimensions are approximate & in inches
- Gray Iron, Class 35B
- Conforms to ASTM A48 / A48M-03 specifications

**PRODUCT NO.**

**12707**

## Light Duty, Flat Grate For 24" Corrugated Pipe



**NOTES:**

- Dimensions are approximate & in inches
- Gray Iron, Class 35B
- Conforms to ASTM A48 / A48M-03 specifications

**PRODUCT NO.**

**13007**

